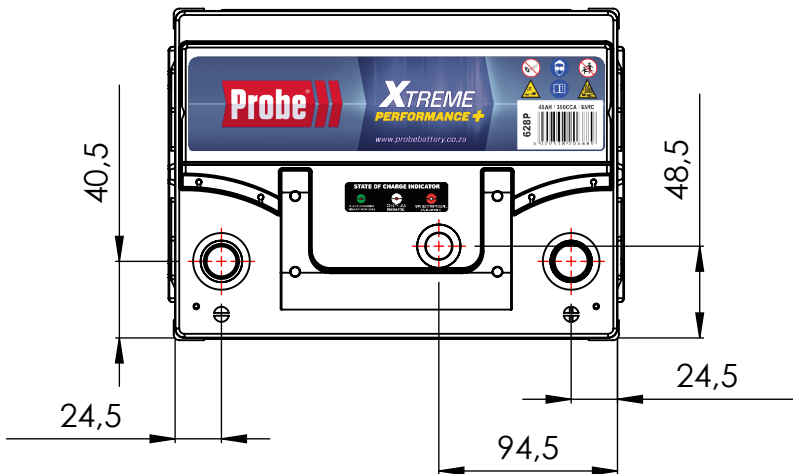
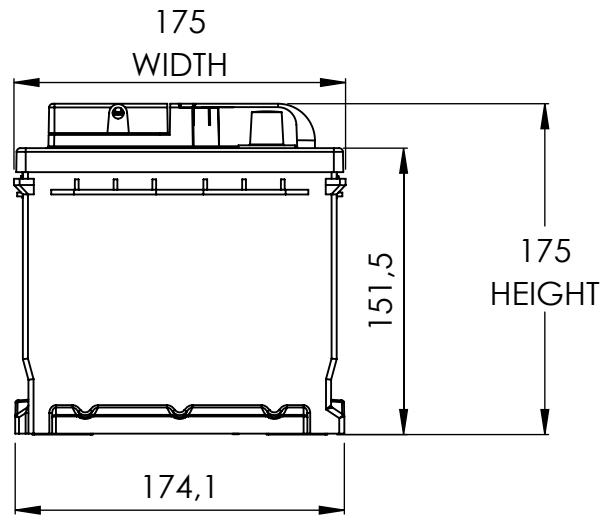
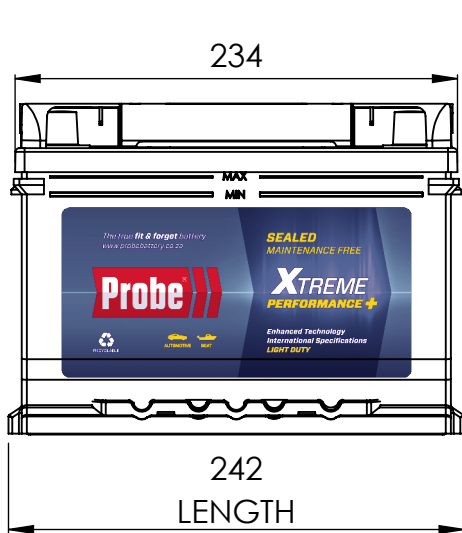


MODEL: 628P
TECHNOLOGY: Lead Acid Battery
DIMENSIONS: mm
COLOR: Black
WET WEIGHT: 11,90 kg
MATERIAL: Polypropylene (PP)
DIMENSIONS (LxWxH) mm: 242 x 175 x 175



SPECIFICATIONS

NOMINAL VOLTAGE	PERFORMANCE			BCI GROUP
	C20 (Ah) CAPACITY (Ah)	CCA (A) SAE -18°C COLD CRANKING (A) SAE -18°C	CAPACITY (MINUTES)	
12V	45	350	65	90



TERMINAL	
TERMINAL TYPE	
1	1
<p>18 ±1 Ø 19,5 ±0,3</p>	<p>18 ±1 Ø 17,9 ±0,3</p>
POSITIVE TERMINAL CONICITY 1:9	NEGATIVE TERMINAL CONICITY 1:9
RECOMMENDED TORQUE: 8 - 10 N.m	